

HEAT CONTROLLER, INC.

REPLACEMENT PARTS MANUAL

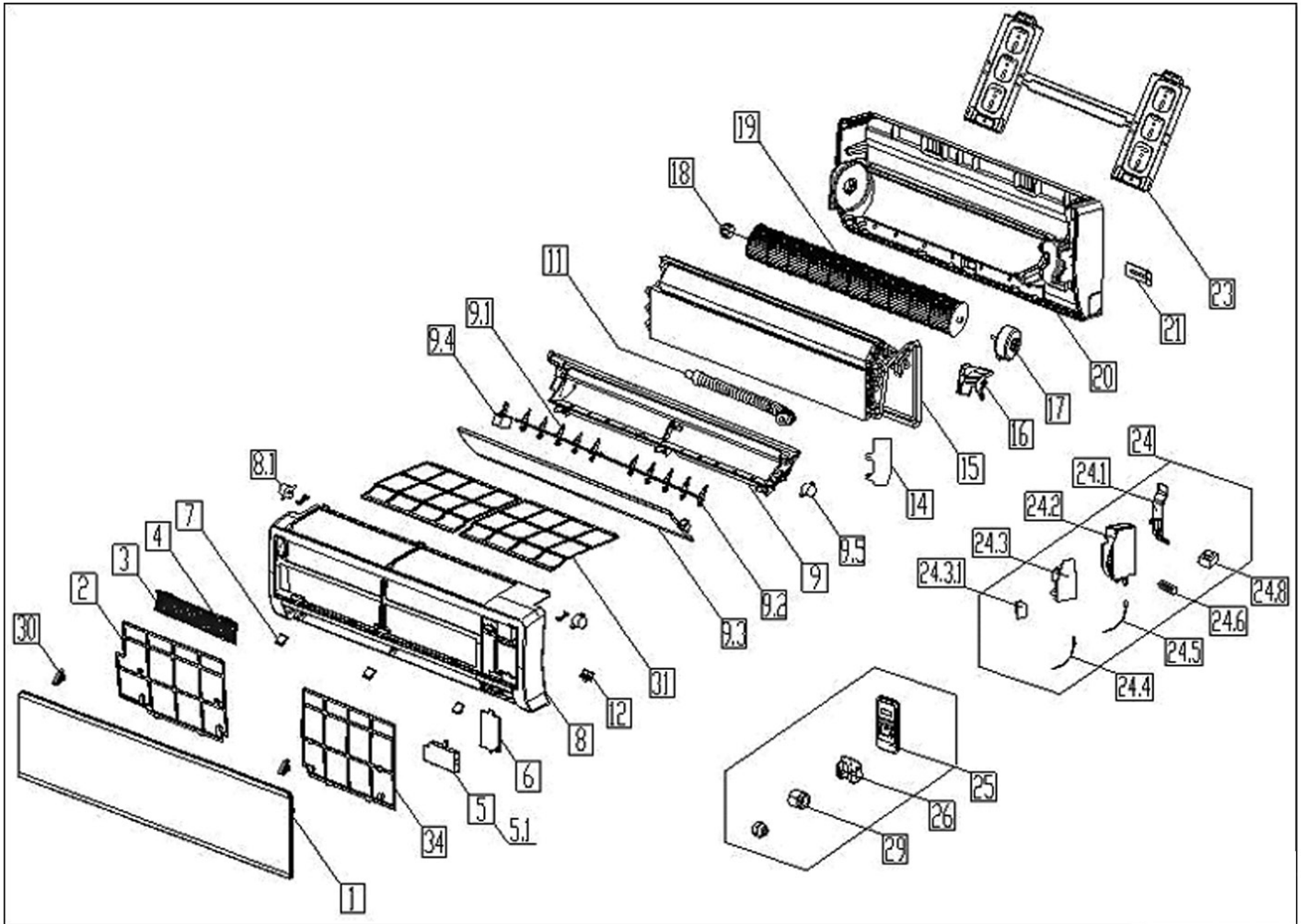
VMH 09/12/18/24

Version C

Inverter Single Zone

Ductless Mini-Split Heat Pump

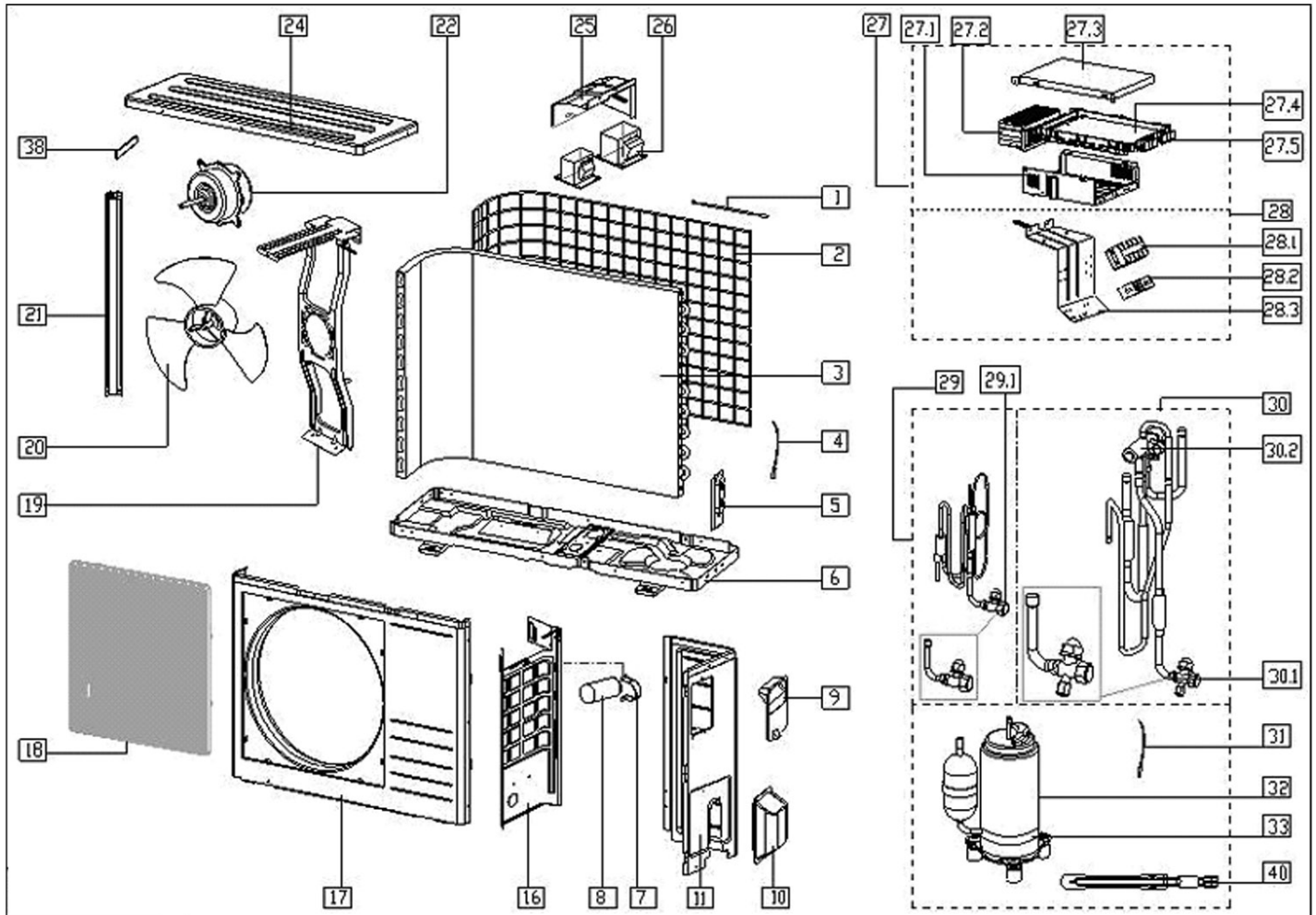
VMH09SC-1 Indoor Unit Exploded View



VMH09SC-1 Indoor Unit Parts List

LOCATION	PART DESCRIPTION	QUANTITY	PART NO.
1	Front panel assy	1	201132590008
2	Air filter(left)(silver ion)	1	201132500013
3	Air cleaner	1	201130100212
4	Air cleaner holder	1	201130100217
5	Display box assy	1	203332590183
5.1	Display board assy	1	201332590136
6	Window cover for repairing	1	201132500012
7	Screw cap	3	201132500055
8	Panel frame assy	1	201132500052
8.1	Louver motor	1	202400200105
9	Air out frame assy	1	201132590041
9.1	Vertical grille	10	201132590031
9.2	Louver holder	1	201132500032
9.2	Louver holder	1	201132500031
9.3	Horizontal louver	1	201132500060
9.4	negative ion engender	1	202403000006
9.5	Louver motor	1	202400200017
11	Drain hose	1	201101020014
12	Baffle of temperature induction	1	201130490002
14	Breakwater	1	201132500002
15	Evaporator,assy	1	201532390036
16	Motor cover	1	201132500017
17	Motor	1	202400370022
18	Bearing holder	1	202730100201
19	Cross flow fan	1	201100200106
20	Chassis	1	201132500007
21	Connecting pipe clamp	1	201232500001
23	Installation plate	1	201232590025
24	Electronic control box,indoor unit	1	203332390677
24.1	E-Parts box's cover	1	201132500021
24.2	E-Parts box	1	201132500022
24.3	Main control board	1	201332390823
24.4	Indoor temp sensor	1	202433190000
24.5	Evaporator temp sensor	1	202301300080
24.6	Wire join	1	202301450119
25	Remote Controller	1	203355091200
26	Holder,Remote Controller	1	201155000024
27	Seal	1	202720090001
28	Connector for watering	1	201101020011
29	Copper nut	1	201600320001
29	Copper nut	1	201600320000
30	Hinge Slide groove	2	201132500010
31	Airinlet grille Assebmlly	1	201132500054
34	Air filter(right)(silver ion)	1	201132500011

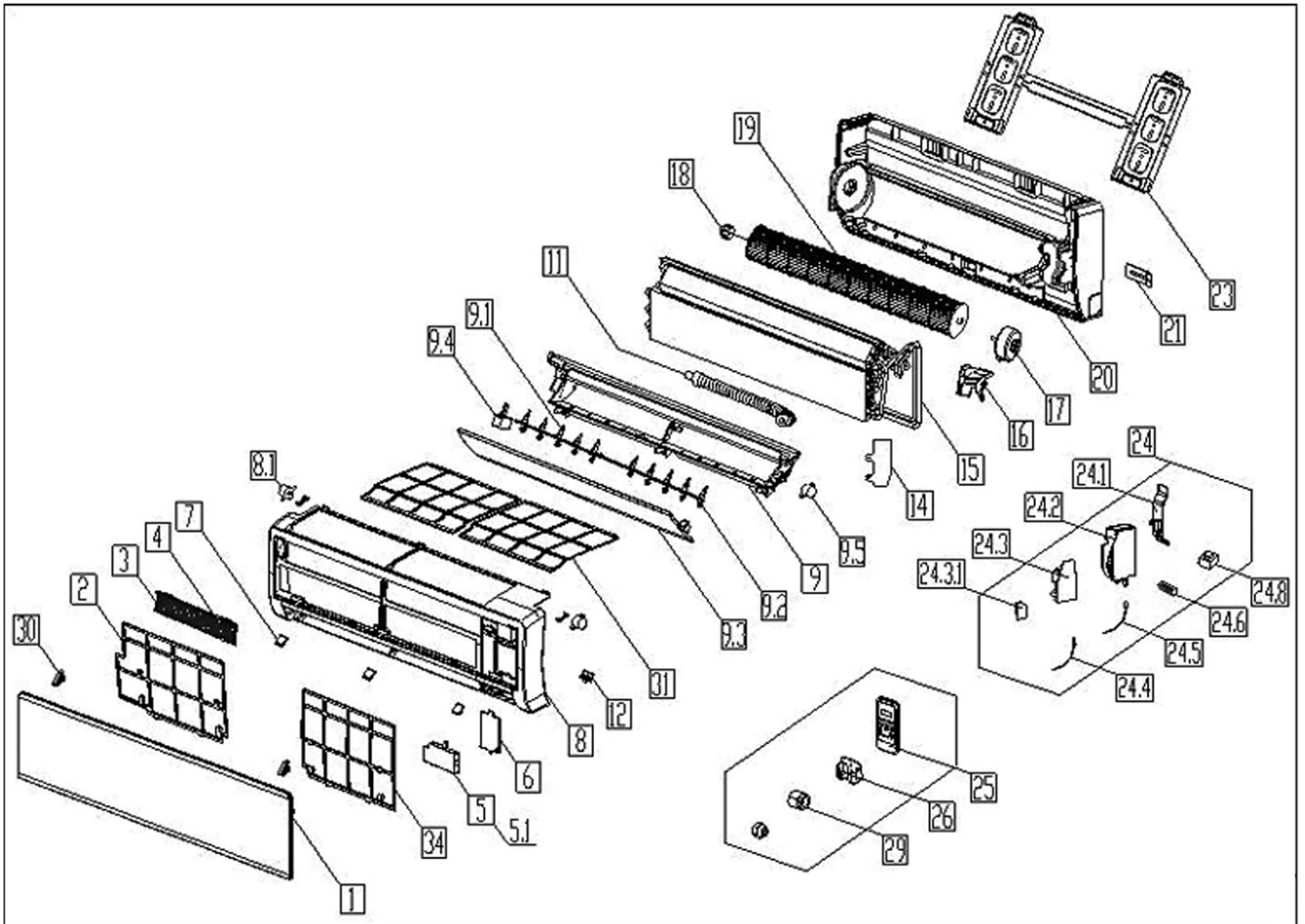
VMH09SC-1 Outdoor Unit Exploded View



VMH09SC-1 Outdoor Unit Parts List

LOCATION	PART DESCRIPTION	QUANTITY	PART NO.
1	Indoor temp sensor	1	202301310063
2	Rear grille	1	2011374G0003
3	Condenser coil assembly	1	201537390033
4	Pipe Temperature Sensor	1	202440500004
5	Valve plate	1	201235120614
6	Base pan assembly	1	201237590048
7	Clip, capacitor	1	201200100005
8	Capacitor,Compressor	1	202401000612
9	Handle (large)	1	201235290217
10	Valve cover	1	201135270201
11	Right clapboard	1	201237590003
16	Partition plate assembly	1	201237590008
17	Front panel	1	201237400029
18	Front grille	1	201235100023
19	Motor mounting bracket assembly	1	201237390026
20	Axial flow fan blade assembly	1	201100390002
21	Left support	1	201237400028
22	Fan motor	1	202400370023
24	Top cover assembly	1	201235270249
25	2-Cover for reactance filter	1	201235250802
26	Reactor	1	202301000820
26	Reactor	1	202301000819
27	Electrical box assembly	1	203337390159
27.1	E-Parts box	1	201237300033
27.2	Radiator	1	202301900068
27.3	E-Parts box's cover	1	201237300162
27.4	Main control board	1	201337390096
27.5	Holder for E-parts	1	201137300162
28	Board of terminal,assy	1	203337590049
28.1	Wire joint	1	202301400223
28.2	Washer for wire joint	1	201135000004
28.3	Board of terminal	1	201237590046
29	Liquid valve assembly	1	201637390095
29.1	Liquid valve	1	201600740523
30	Gas valve assembly	1	201632390037
30.1	Gas pipe valve	1	201600720200
30.2	4-Ways valve	1	201600670003
31	Discharge temp sensor assembly	1	202301310068
32	Rotary compressor	1	201400620600
33	Crank case heater	1	202403100501
38	Handle (small)	1	201150290006
40	Electric pipe heater	1	202403100187

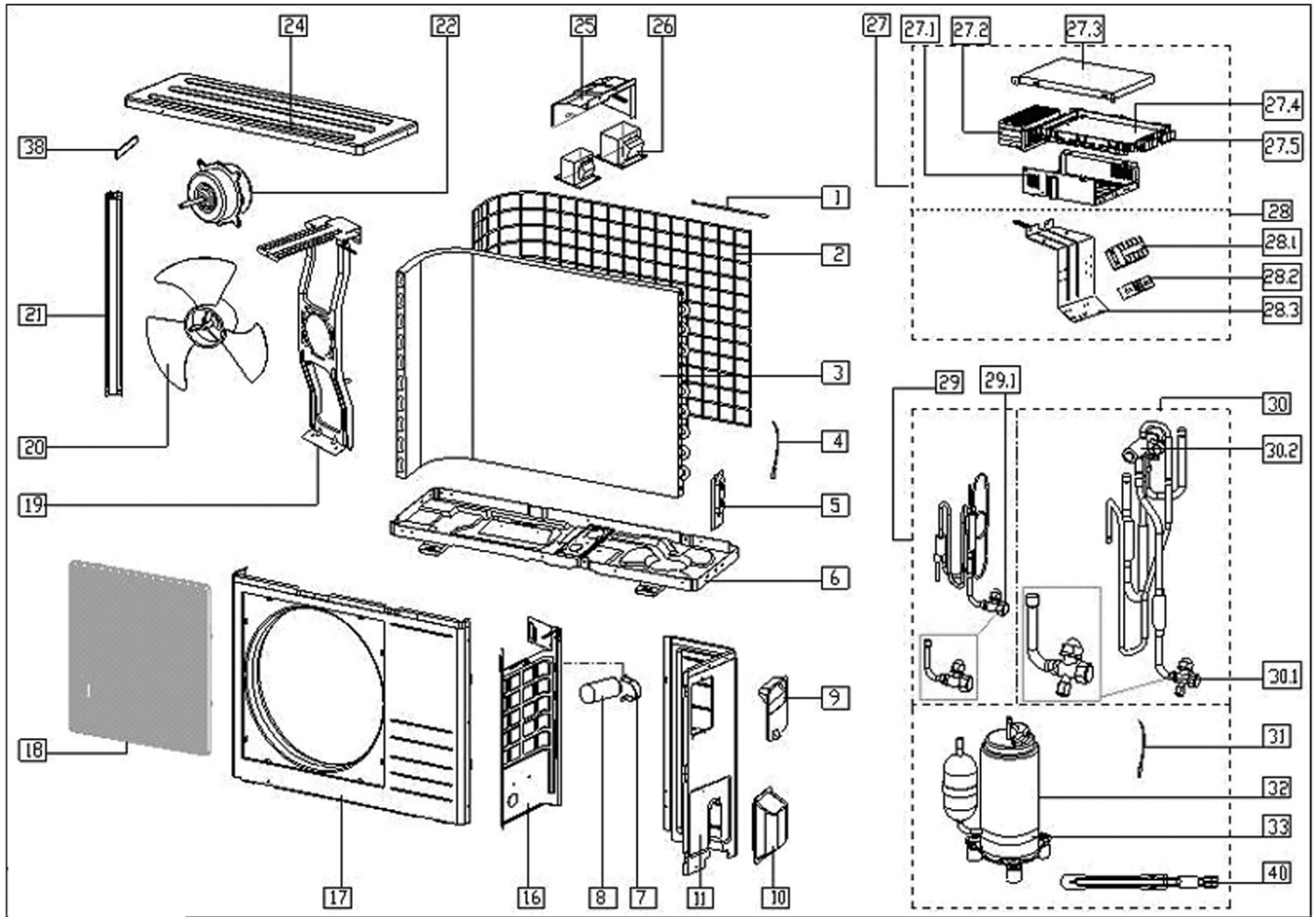
VMH12SC-1 Indoor Unit Exploded View



VMH12SC-1 Indoor Unit Parts List

LOCATION	PART DESCRIPTION	QUANTITY	PART NO.
1	Front panel assy	1	201132590008
2	Air filter(left)(silver ion)	1	201132500013
3	Air cleaner	1	201130100212
4	Air cleaner holder	1	201130100217
5	Display box assy	1	203332590183
5.1	Display board assy	1	201332590136
6	Window cover for repairing	1	201132500012
7	Screw cap	3	201132500055
8	Panel frame assy	1	201132500052
8.1	Louver motor	1	202400200105
9	Air out frame assy	1	201132590041
9.1	Vertical grille	10	201132590031
9.2	Louver holder	1	201132500032
9.2	Louver holder	1	201132500031
9.3	Horizontal louver	1	201132500060
9.4	negative ion engender	1	202403000006
9.5	Louver motor	1	202400200017
11	Drain hose	1	201101020014
12	Baffle of temperature induction	1	201130490002
14	Breakwater	1	201132500002
15	Evaporator,assy	1	201532590004
16	Motor cover	1	201132500017
17	Motor	1	202400370022
18	Bearing holder	1	202730100201
19	Cross flow fan	1	201100200106
20	Chassis	1	201132500007
21	Connecting pipe clamp	1	201232500001
23	Installation plate	1	201232590025
24	Electronic control box,indoor unit	1	203332590475
24.1	E-Parts box's cover	1	201132500021
24.2	E-Parts box	1	201132500022
24.3	Main control board	1	201332590549
24.4	Indoor temp sensor	1	202433190000
24.5	Evaporator temp sensor	1	202301300080
24.6	Wire join	1	202301450119
25	Remote Controller	1	203355091200
26	Holder,Remote Controller	1	201155000024
28	Connector for watering	1	201101020011
29	Copper nut	1	201600320002
29	Copper nut	1	201600320000
30	Hinge Slide groove	2	201132500010
31	Airinlet grille Assebmlly	1	201132500054
34	Air filter(right)(silver ion)	1	201132500011

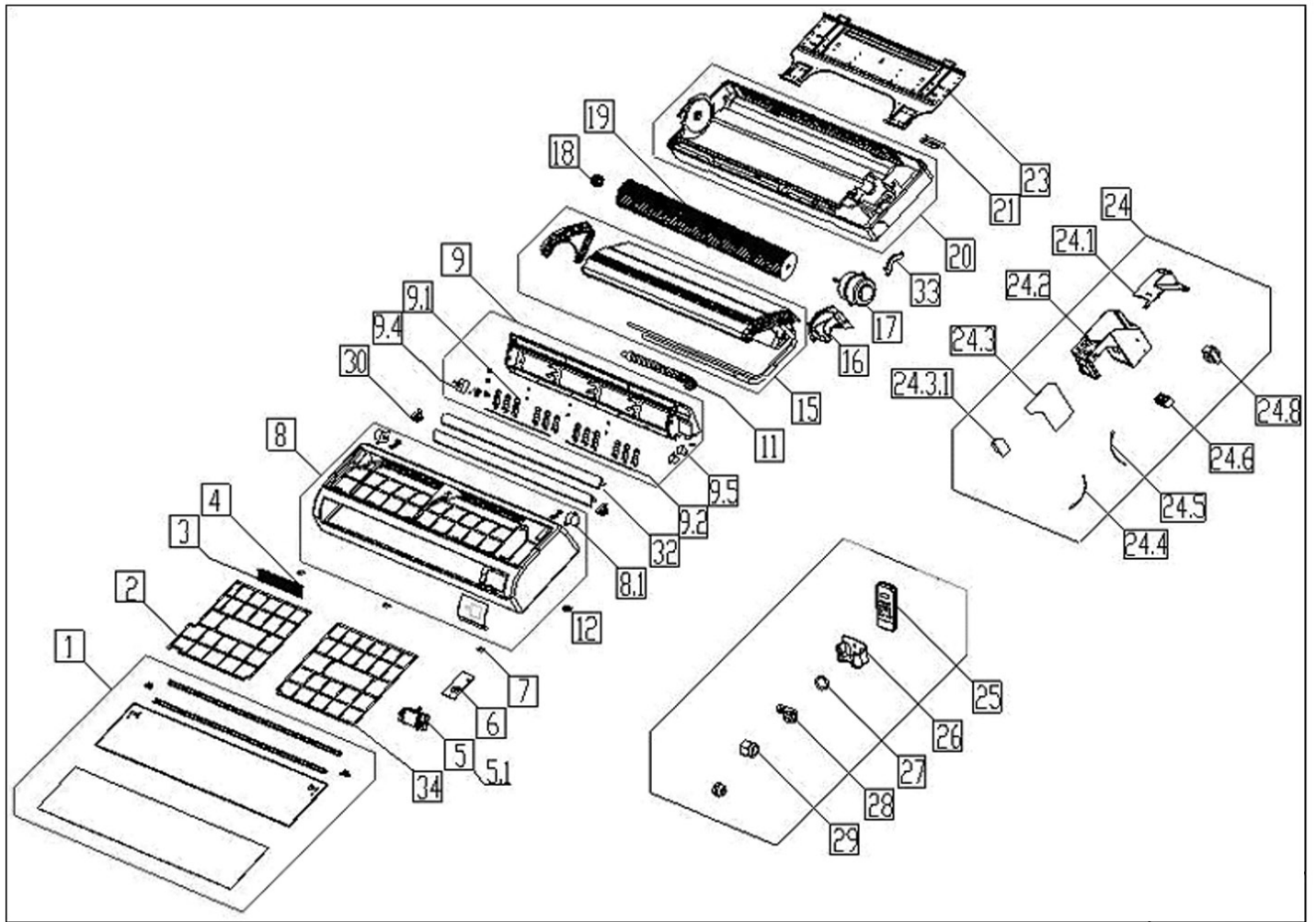
VMH12SC-1 Outdoor Unit Exploded View



VMH12SC-1 Outdoor Unit Parts List

LOCATION	PART DESCRIPTION	QUANTITY	PART NO.
1	Indoor temp sensor	1	202301310063
2	Rear grille	1	2011374G0003
3	Condenser coil assembly	1	201537490008
4	Pipe Temperature Sensor	1	202440500004
5	Valve plate	1	201235120614
6	Base pan assembly	1	201237590048
7	Clip, capacitor	1	201200100005
8	Capacitor,Compressor	1	202401000612
9	Handle (large)	1	201235290217
10	Valve cover	1	201135270201
11	Right clapboard	1	201237590003
16	Partition plate assembly	1	201237590008
17	Front panel	1	201237400029
18	Front grille	1	201235100023
19	Motor mounting bracket assembly	1	201237390026
20	Axial flow fan blade assembly	1	201100390002
21	Left support	1	201237400028
22	Fan moter	1	202400370023
24	Top cover assembly	1	201235270249
25	2-Cover for reactance filter	1	201235250802
26	Reactor	1	202301000820
26	Reactor	1	202301000819
27	Electrical box assembly	1	203337390159
27.1	E-Parts box	1	201237300033
27.2	Radiator	1	202301900068
27.3	E-Parts box's cover	1	201237300162
27.4	Main control board	1	201337390096
27.5	Holder for E-parts	1	201137300162
28	Board of terminal,assy	1	203337590049
28.1	Wire joint	1	202301400223
28.2	Washer for wire joint	1	201135000004
28.3	Board of terminal	1	201237590046
29	Liquid valve assembly	1	201637490232
29.1	Liquid valve	1	201600740523
30	Gas valve assembly	1	201637590195
30.1	Gas pipe valve	1	201600720201
30.2	4-Ways valve	1	201600670003
31	Discharge temp sensor Ass'y	1	202301310068
32	Rotary compressor	1	201400620600
33	Crank case heater	1	202403100501
38	Handle (small)	1	201150290006
40	Electric pipe heater	1	202403100187

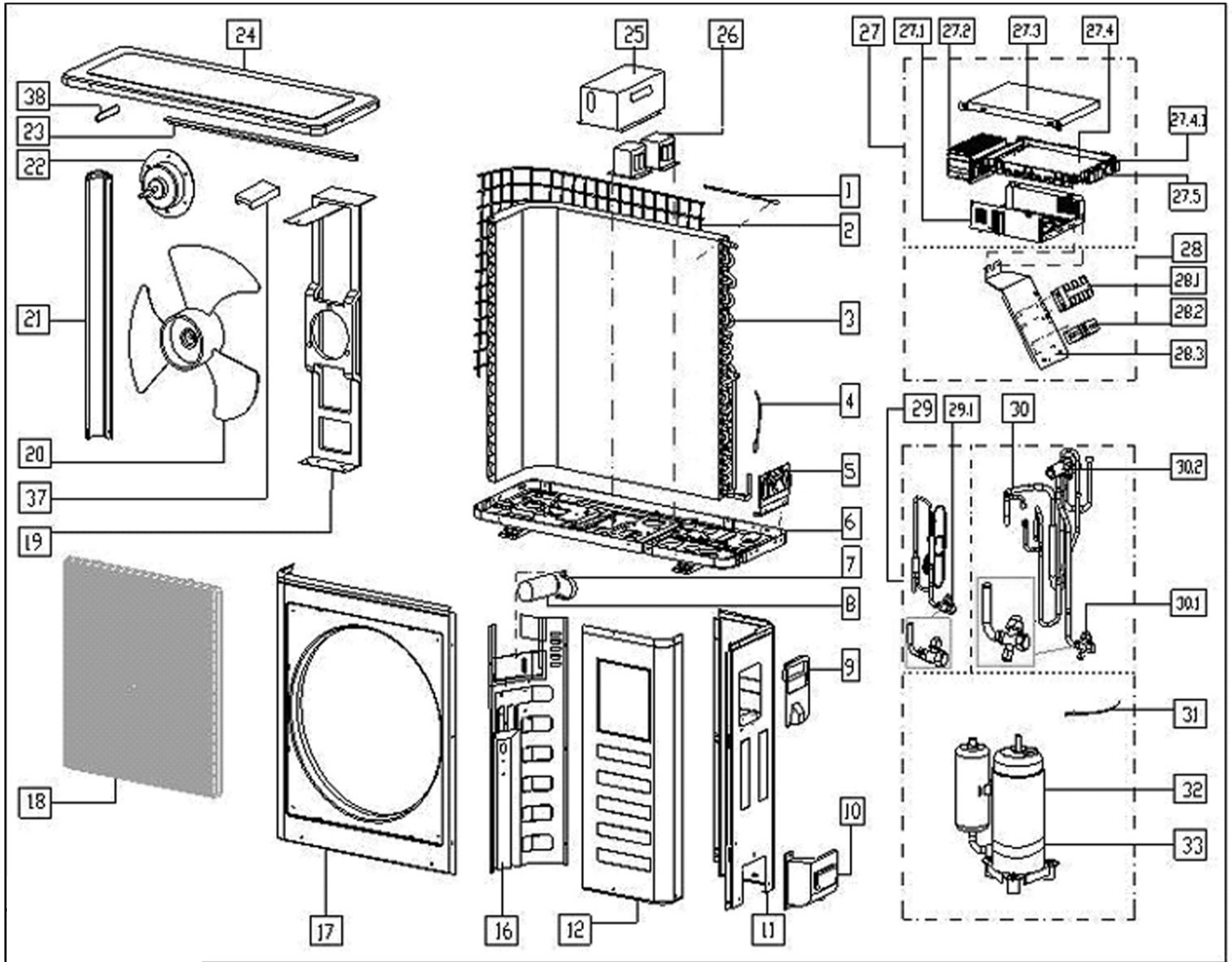
VMH18SC-1 Indoor Unit Exploded View



VMH18SC-1 Indoor Unit Parts List

LOCATION	PART DESCRIPTION	QUANTITY	PART NO.
1	Front panel assy	1	201133090178
2	Air filter(left)(silver ion)	1	201133090174
3	Air cleaner	1	201130100212
4	Air cleaner holder	1	201130100217
5	Display box assy	1	203332890007
5.1	Display board assy	1	201332890026
6	Window cover for repairing	1	201133090170
7	Screw cap	3	201133090175
8	Panel frame assy	1	201133090172
8.1	Louver motor	1	202400200109
9	Air out frame assy	1	201133090210
9.1	Vertical grille	12	201133090434
9.2	Louver holder	2	201133090435
9.4	negative ion engender	1	202403000003
9.5	Louver motor	1	202400200004
11	Drain hose	1	201130000011
12	Baffle of temperature induction	1	201130490002
15	Evaporator,assy	1	201532790046
16	Motor cover	1	201133090176
17	Motor	1	202400400931
18	Bearing holder	1	202730100201
19	Cross flow fan	1	201100200110
20	Chassis	1	201133090180
21	Connecting pipe clamp	1	201232800001
23	Installation plate	1	201232990001
24	Electronic control box,indoor unit	1	203333090278
24.1	E-Parts box's cover	1	201133090166
24.2	E-Parts box	1	201133090165
24.3	Main control board	1	201333090372
24.3.1	Wires capacitor	1	202401290009
24.4	Indoor temp sensor	1	202301300092
24.5	Evaporator temp sensor	1	202301300077
24.6	Wire join	1	202301450119
24.8	Transformer	1	202300900166
25	Remote Controller	1	203355091200
26	Holder,Remote Controller	1	201155000024
27	Seal	1	202720090001
28	Connector for watering	1	201101020011
29	Copper nut	1	201600320000
29	Copper nut	1	201600320002
30	Hinge Slide groove	2	201132890023
32	Horizontal louver	1	201133090168
32	Horizontal louver	1	201133090169
33	Fixing board for motor	1	201133090167
34	Air filter(right)(silver ion)	1	201133090177

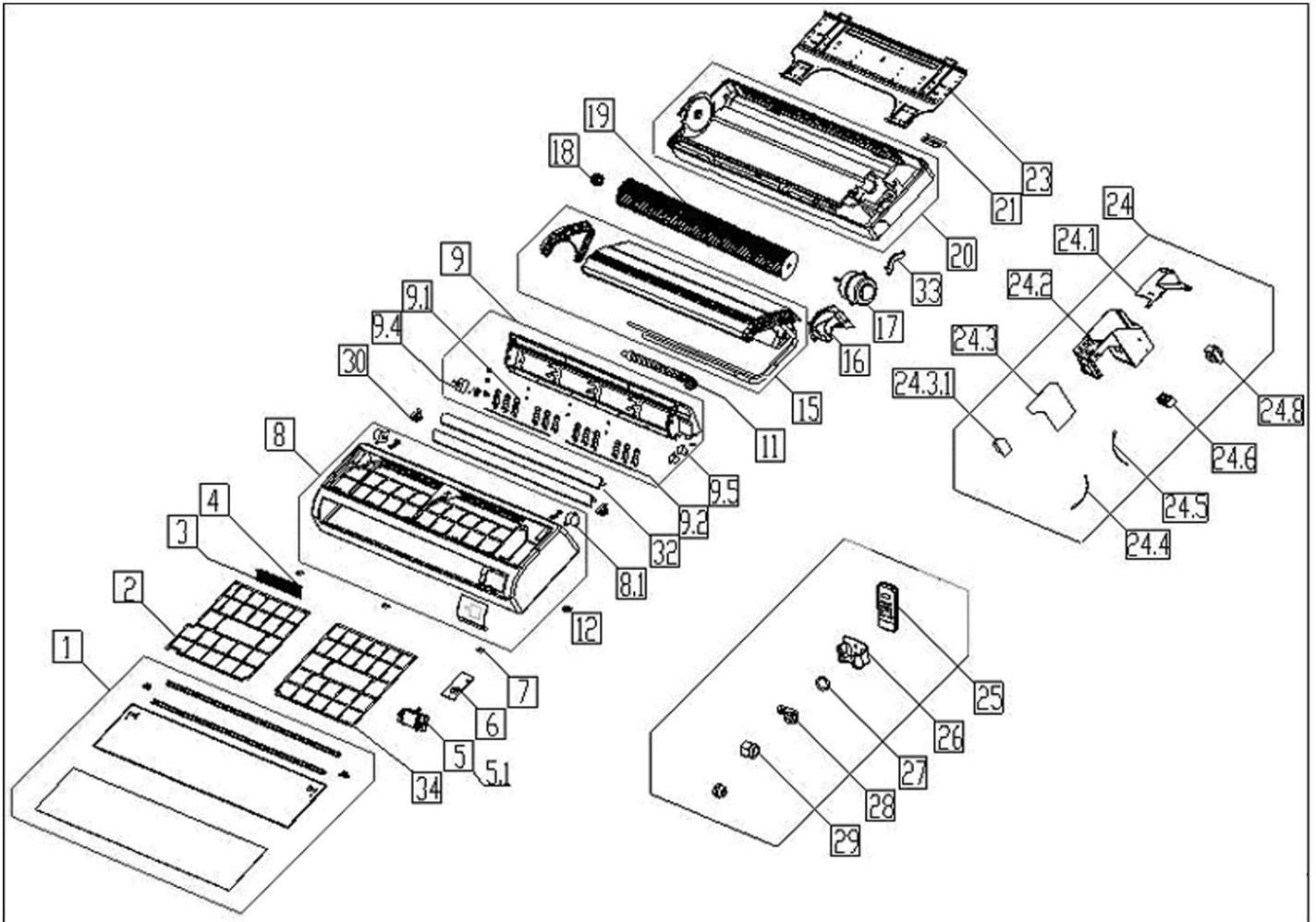
VMH18SC-1 Outdoor Unit Exploded View



VMH18SC-1 Outdoor Unit Parts List

LOCATION	PART DESCRIPTION	QUANTITY	PART NO.
1	Indoor temp sensor	1	202301310063
2	Rear grille	1	2011481G0001
3	Condenser coil assembly	1	201537990036
4	Pipe Temperature Sensor	1	202440500004
5	Valve plate	1	201235000018
6	Base pan assembly	1	201257090030
7	Clip, capacitor	1	201200100026
8	Capacitor, compressor	1	202401000612
9	Handle (large)	1	201235290217
10	Valve cover	1	201135290005
11	Right clapboard	1	20123789G001
12	Front right clapboard assembly	1	2012481G0001
16	Partition plate assembly	1	201237790031
17	Front panel	1	20124810G002
18	Front grille	1	201235390011
19	Motor mounting bracket assembly	1	2012481G0039
20	Axial flow fan blade assembly	1	201145500002
21	Left support	1	201248100070
22	Fan motor	1	202400400173
23	Supporter of back	1	201248100076
24	Top cover assembly	1	201245500811
25	2-Cover for reactance filter	1	201237790013
26	Reactor	1	202301000834
26	Reactor	1	202301000819
27	Electrical box assembly	1	203338090138
27.1	E-Parts box	1	201237300033
27.2	Radiator	1	202301900112
27.3	E-Parts box's cover	1	201237300162
27.4	Main control board	1	201338090033
27.4.1	Motor capacitor	1	202401200152
27.5	Holder for E-parts	1	201137300162
28	Board of terminal,assy	1	203337990161
28.1	Wire joint	1	202301450118
28.2	Washer for wire joint	1	201135000004
28.3	Board of terminal	1	201237890064
29	Liquid valve assembly	1	201637790385
29.1	Liquid valve	1	201600740522
30	4-Ways valve Ass'y	1	201637790384
30.1	Gas pipe valve	1	201600720194
30.2	4-Ways valve	1	201600690011
31	Discharge temp sensor Assembly	1	202301310068
32	Rotary compressor	1	201400600530
33	Crank case heater	1	202403100501
37	Foam, motor holder	1	202245500001
38	Handle (small)	1	201150290006

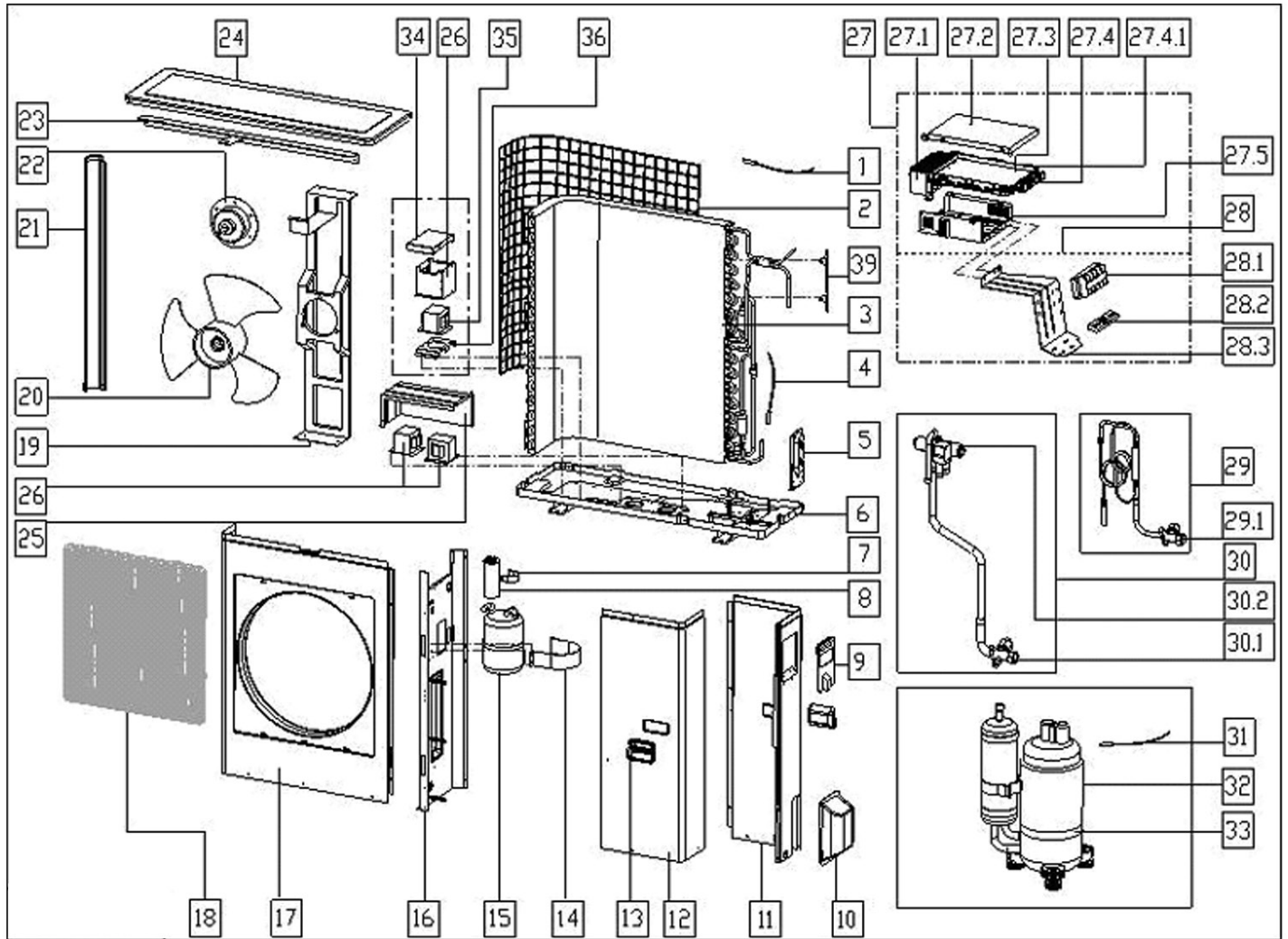
VMH24SC-1 Indoor Unit Exploded View



VMH24SC-1 Indoor Unit Parts List

LOCATION	PART DESCRIPTION	QUANTITY	PART NO.
1	Front panel assy	1	201133090178
2	Air filter(left)(silver ion)	1	201133090174
3	Air cleaner	1	201130100212
4	Air cleaner holder	1	201130100217
5	Display box assy	1	203332890007
5.1	Display board assy	1	201332890026
6	Window cover for repairing	1	201133090170
7	Screw cap	3	201133090175
8	Panel frame assy	1	201133090172
8.1	Louver motor	1	202400200109
9	Air out frame assy	1	201133090210
9.1	Vertical grille	12	201133090434
9.2	Louver holder	2	201133090435
9.4	negative ion engender	1	202403000003
9.5	Louver motor	1	202400200004
11	Drain hose	1	201130000011
12	Baffle of temperature induction	1	201130490002
15	Evaporator,assy	1	201533090021
16	Motor cover	1	201133090176
17	Motor	1	202400400931
18	Bearing holder	1	202730100201
19	Cross flow fan	1	201100200110
20	Chassis	1	201133090180
21	Connecting pipe clamp	1	201232800001
23	Installation plate	1	201232990001
24	Electronic control box,indoor unit	1	203333090277
24.1	E-Parts box's cover	1	201133090166
24.2	E-Parts box	1	201133090165
24.3	Main control board	1	201333090371
24.3.1	Wires capacitor	1	202401290009
24.4	Indoor temp sensor	1	202301300092
24.5	Evaporator temp sensor	1	202301300077
24.6	Wire join	1	202301450119
24.8	Transformer	1	202300900166
25	Remote Controller	1	203355091200
26	Holder,Remote Controller	1	201155000024
27	Seal	1	202720090001
28	Connector for watering	1	201101020011
29	Copper nut	1	201600320001
29	Copper nut	1	201600320003
30	Hinge Slide groove	2	201132890023
32	Horizontal louver	1	201133090168
32	Horizontal louver	1	201133090169
33	Fixing board for motor	1	201133090167
34	Air filter(right)(silver ion)	1	201133090177

VMH24SC-1 Outdoor Unit Exploded View



VMH24SC-1 Outdoor Unit Parts List

LOCATION	PART DESCRIPTION	QUANTITY	PART NO.
1	Indoor temp sensor	1	202301310063
2	Rear grille	1	2011482G0001
3	Condenser coil assembly	1	201538090038
4	Pipe Temperature Sensor	1	202301300111
5	Valve plate	1	201245370923
6	Base pan assembly	1	201238090025
7	Clip, capacitor	1	201200100026
8	Capacitor, Compressor	1	202401000612
9	Handle (large)	1	201235290217
10	Water collector	1	201135490001
11	Right clapboard	1	201235490047
12	Front right clapboard assembly	1	201245320903
13	Handle	2	201145400003
14	Separator fixation circle	1	201245000901
15	Accumulator cylinder	1	201638090129
16	Partition plate assembly	1	201238090004
17	Front panel	1	201248200028
18	Front grille	1	201235390011
19	Motor mounting bracket assembly	1	201238090007
20	Axial flow fan blade assembly	1	201100300202
21	Left support	1	2012484G0001
22	Fan motoer	1	202400410666
23	Supporter of back	1	201248200095
24	Top cover assembly	1	2012482G0013
25	2-Cover for reactance filter	1	201245320920
26	Reactor	1	202301000834
26	Reactor	1	202301040055
26	Reactor	1	202301000819
27	Electrical box assembly	1	203338090134
27.1	E-Parts box	1	201237300033
27.2	Radiator	1	202301900112
27.3	E-Parts box's cover	1	201237300032
27.4	Main control board	1	201338090027
27.4.1	Motor capacitor	1	202401200152
27.5	Holder for E-parts	1	201137300162
28	Board of terminal,assy	1	203338090187
28.1	Wire joint	1	202301450118
28.2	Washer for wire joint	1	201135000004
28.3	Board of terminal	1	201238090032
29	Liquid valve assembly	1	201638090249
29.1	Liquid valve	1	201600740297
30	Gas valve assembly	1	201638090251
30.1	Gas pipe valve	1	201600720398
30.2	4-Ways valve	1	201600600119
31	Discharge temp sensor Ass'y	1	202301310068
32	Rotary compressor	1	201400600530
33	Crank case heater	1	202403100501
34	Cover for inductance	1	201238090037
35	Protecting board for inductance	1	201238090038
36	Holder board for inductance	1	201250200305
39	Breakwater	1	201137990000

Design, material, performance data and components
subject to change without notice.

HEAT CONTROLLER, INC.

1900 Wellworth Ave., Jackson, MI 49203 ♦ Ph. 517-787-2100 ♦ Fax 517-787-9341

THE QUALITY LEADER IN CONDITIONING AIR

www.heatcontroller.com